



DECCA IMPIANTI



CONVEYOR BELTS

THE FRAME CAN BE MADE OF STEEL PIPES, "U" PROFILES, LATTICED TUBES OR GALVANIZED ANGLE PROFILES

The conveyor belts we produce are designed and realized according to high quality standards with best brand components.

Technical features:

- smooth or barbed nylon canvas belt, wear resistant rubber coated
- double stainless screw tensioner acting on the idle pulley
- double/triple upper roller stations
- rollers branded RULMECA heavy duty type, on life lubricated bearings
- reducers branded BONFIGLIOLI
- fill tank with rubber bibs easily replaceable
- Italian electric motors
- turned curved pulleys (drive pulley lined with anti-clutch rubber)
- belt protective plow on the idle pulley
- special three-sided rubber scraper or HM plate scraper

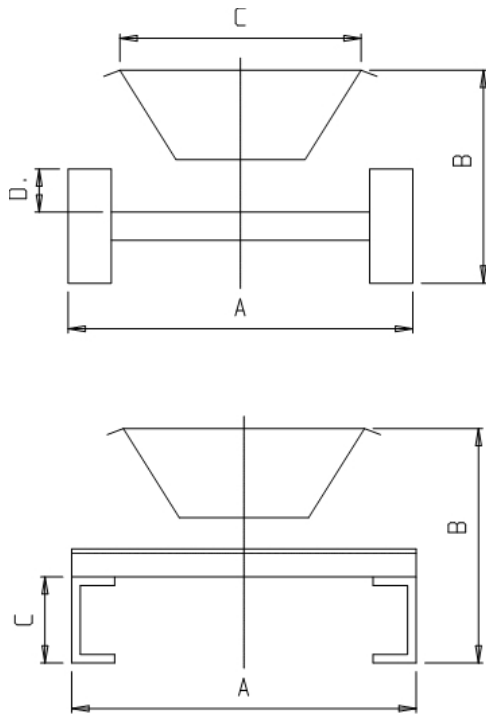
Optional accessories:

- side safety shields
- belt coverage
- side and lower protections
- security pull rope device
- rotation control devices
- material detect sensor
- weighing device
- walkways and banisters, support structures, discharge nozzles



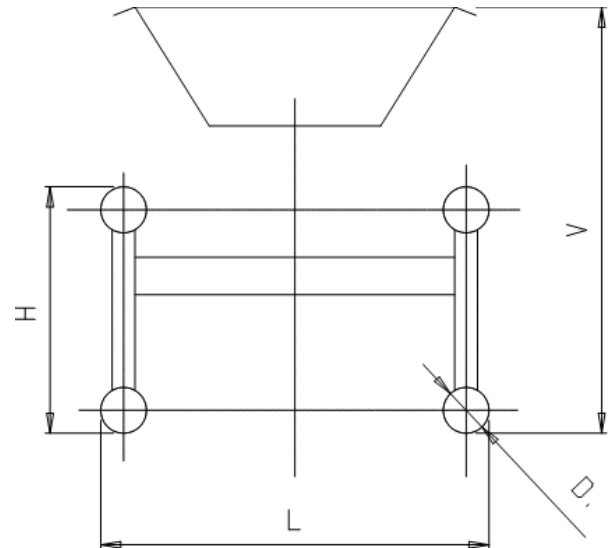


CONVEYOR BELTS – STANDARD MODELS



STANDARD SIZES (STEEL PIPE CONVEYOR BELTS)

BELT	A	B	C	D
40 B	620	430	550	65
50 B	750	450	650	65
65 B	900	450	800	65
80 B	1140	485	950	65



STANDARD SIZES (LATTICED TUBE CONVEYOR BELTS)

BELT	L	H	D.	V	
50 L	757	380	42	690	20°
50 N	775	380	60	690	20°
50 M	860	550	60	925	20°
65 L	920	380	42	690	20°
65 N	938	380	60	690	20°
65 M	1040	550	60	925	30°
65 P	1056	800	76	1160	30°
65 E	1069	1280	89	1550	30°
80 L	1112	380	42	690	20°
80 N	1130	380	60	690	20°
80 M	1224	550	60	925	30°
80 P	1240	800	76	1160	30°
80 E	1253	1280	89	1550	30°
100 P	1426	800	76	1160	30°
100 E	1439	1280	89	1550	30°

STANDARD SIZES ("U" PROFILE CONVEYOR BELTS)

BELT	A	B	C
50 U	810	595	120
65 U	970	620	140
80 U	1170	635	160
100 U	1370	650	180

These models are standards that can be adapted and modified according to specific project requirements