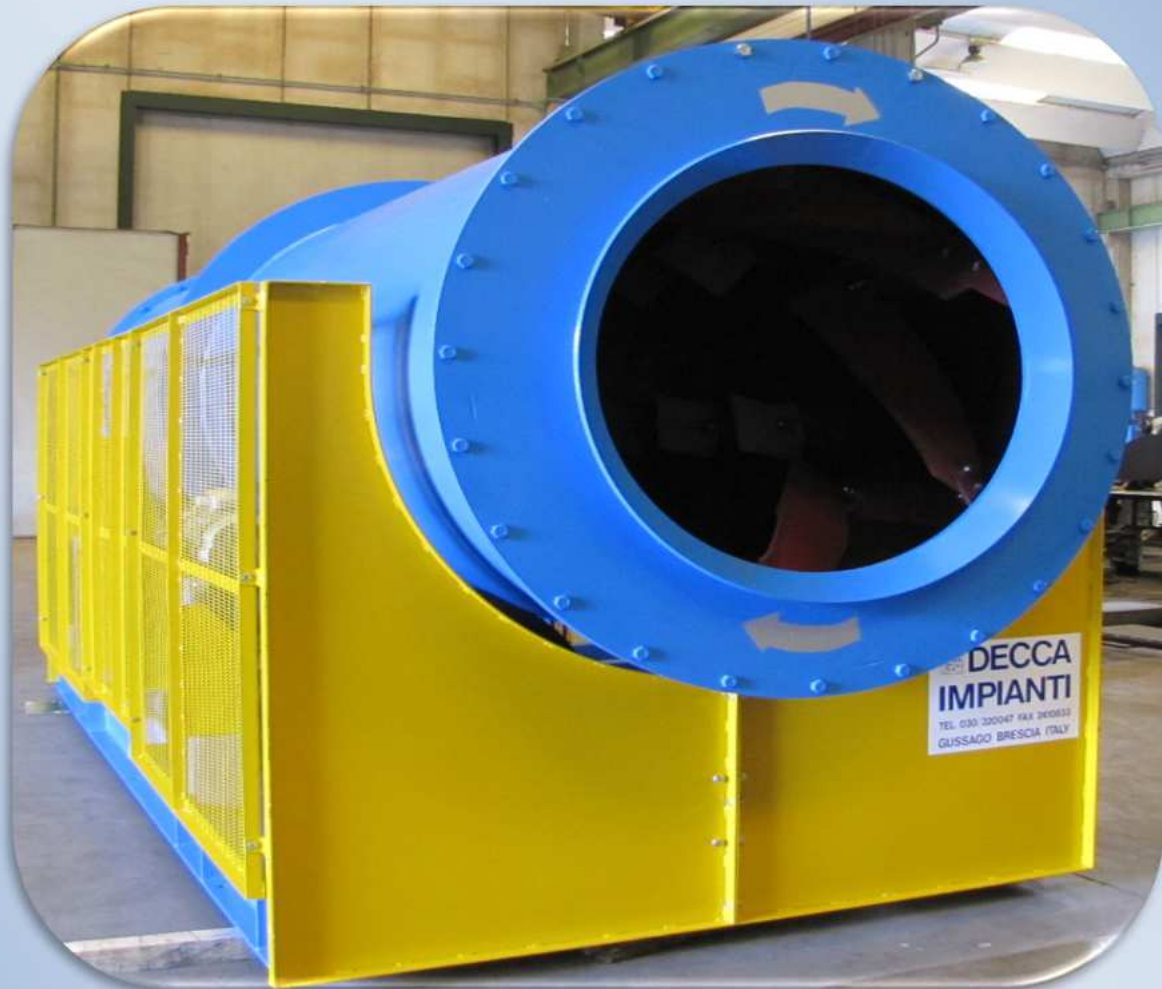




# DECCA IMPIANTI



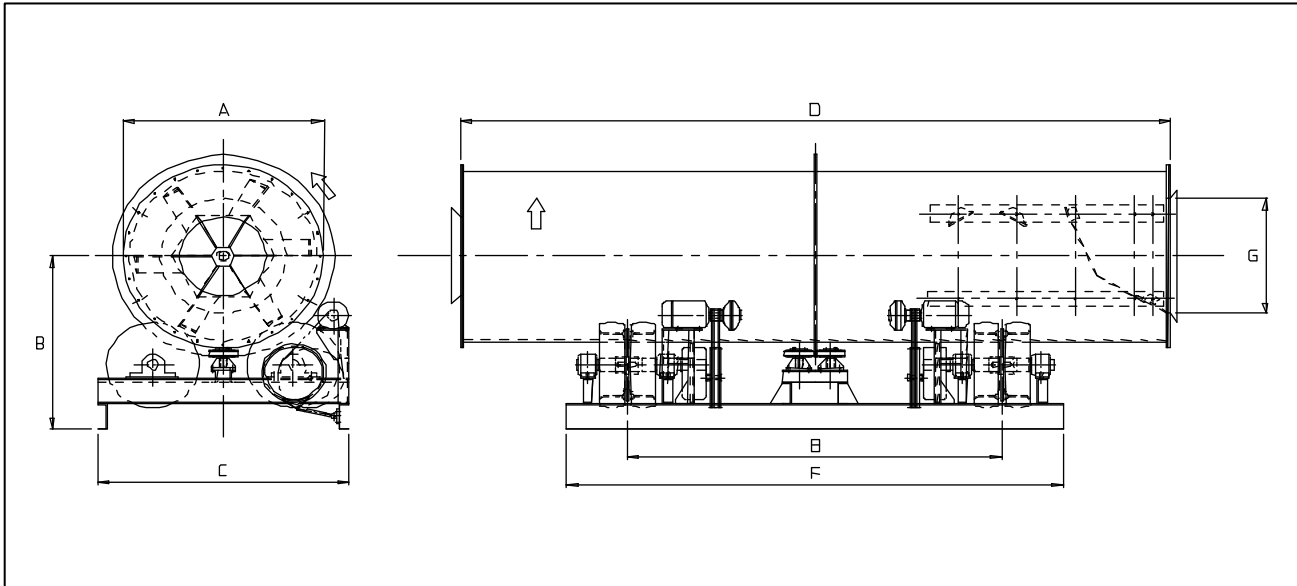
## MUD REMOVAL MACHINES "BS" SERIES

SUITABLE FOR WASHING THE MATERIAL  
FROM DIRTINESS LIKE MUD AND CLAY

- on the way, an efficient paddle system promotes the disgregation and the washing of the material
- rotation performed through four wheel groups with high capacity full tires



## MUD REMOVAL MACHINES "BS" SERIES



TYPE	A (mm)	B (mm)	C (mm)	D (mm)	E (mm)	F (mm)	G (mm)	power supply (Kw)	capacity (mc/h)
BS 160 600	1600	1630	2150	6000	3200	4250	1080	7,5 + 7,5	50
BS 180 450	1800	1800	2300	4500	2200	3250	1200	7,5 + 7,5	65
BS 200 600	2000	1900	2300	6000	3200	4500	1400	15 + 15	80
BS 240 450	2400	2100	2550	4500	2200	3500	1700	15 + 15	130

TYPE	RUBBER COATED MACHINE			STEEL COATED MACHINE		
	MAX. MATERIAL SIZE (mm)	EMPTY MACHINE WEIGHT (Kg)	MACHINE WEIGHT AT FULL LOAD (Kg)	MAX. MATERIAL SIZE (mm)	EMPTY MACHINE WEIGHT (Kg)	MACHINE WEIGHT AT FULL LOAD (Kg)
BS 160 600	60 - 80	9120	10900	150	10390	12170
BS 180 450	60 - 80	9180	10680	200	10260	11760
BS 200 600	60 - 80	14560	16790	250	16160	18390
BS 240 450	60 - 80	15030	17030	300	16470	18470

These models are standards that can be adapted and modified according to specific project requirements.