



# DECCA IMPIANTI



## RECIPROCATING FEEDERS "AR" SERIES (HEAVY DUTY)

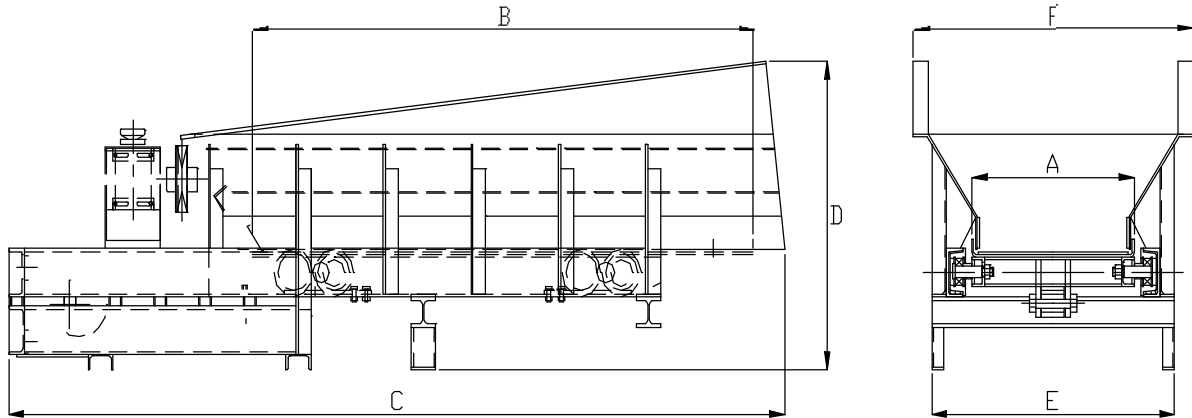
FOR THE DOSAGE OF BIG SIZES

- Flexibility in controlling the flow rate by adjusting the race and the stroke speed of the cart
- High durability thanks to the use of linings made of wear resistant steel easily replaceable
- Safety device to avoid excessive stress in the connecting rod





## Reciprocating Feeders "AR" series (heavy duty)



TYPE	A (mm)	B (mm)	C (mm)	D (mm)	E (mm)	F (mm)	Weight (Kg)	electric motor power (Hp)
A 65 R	650	2000	3102	1100	970	1400	1320	4
A 80 R	800	2000	3302	1100	1120	1550	1460	7,5

These technical data are not bidding

CAPACITY SETTING							
TYPE	Setting	1	2	3	4	5	6
A 65 R	Race (mm)	41	80	113	139	155	160
	Volume per stroke (dm <sup>3</sup> )	12,2	24	33,7	41,4	45,9	47,5
	Capacity by 20 races/1' (m <sup>3</sup> /h)	14,6	28,8	40,4	49,7	55,1	57
A 80 R	Race (mm)	41	80	113	139	155	160
	Volume per stroke (dm <sup>3</sup> )	15	29,5	41,5	51	56,5	58,5
	Capacity by 20 races/1' (m <sup>3</sup> /h)	18	35	49	60,5	68	70

These technical data are not bidding

\* - The maximum size for single pieces <5% of the total can be increased by 50%.

These models are standards that can be adapted and modified according to specific project requirements.