



# DECCA IMPIANTI



## VIBRATING FEEDERS "CV" series

SUITABLE FOR CONVEYING AND FEEDING THE MATERIAL

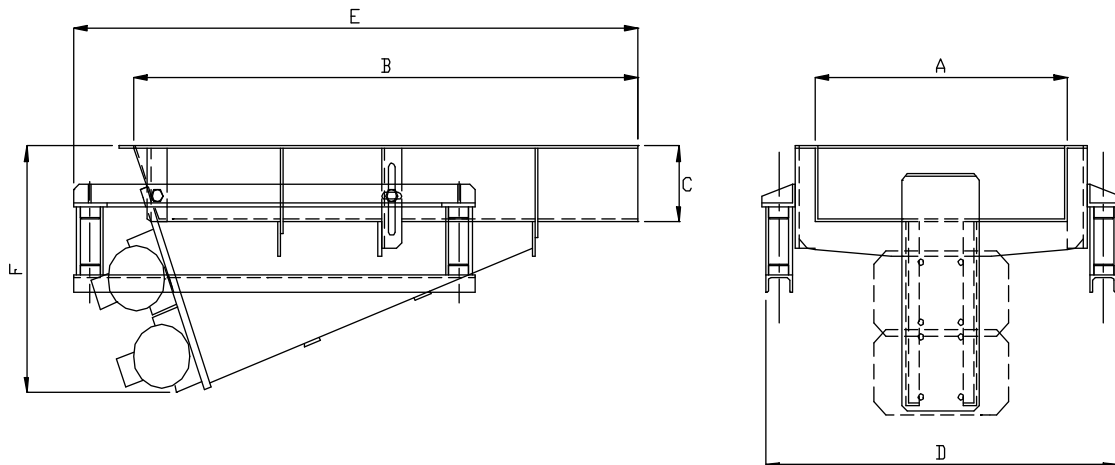


The use of vibrating feeders of the series "CV" provides:

- a constant speed of the material
- the possibility to change the speed of transport adjusting the balance of vibrators
- high durability and high wear/stress resistance



## Vibrating feeders "CV" series



TYPE	A (mm)	B (mm)	C (mm)	D (mm)	E (mm)	F (mm)	Weight (Kg)	Vibrator power (Kw)
CV 45 100	450	1000	120	720	1180	460	115	0,3 + 0,3
CV 45 150	450	1500	200	720	1640	560	155	0,3 + 0,3
CV 45 200	450	2000	200	720	2140	630	200	0,3 + 0,3
CV 60 100	600	1000	120	900	1200	480	135	0,3 + 0,3
CV 60 150	600	1500	200	900	1660	590	190	0,3 + 0,3
CV 60 200	600	2000	200	900	2170	680	250	0,525 + 0,525
CV 75 100	750	1000	120	1050	1210	510	170	0,3 + 0,3
CV 75 150	750	1500	200	1070	1685	640	250	0,525 + 0,525
CV 75 200	750	2000	200	1070	2200	730	320	0,525 + 0,525
CV 90 100	900	1000	150	1200	1210	530	200	0,3 + 0,3
CV 90 150	900	1500	200	1200	1685	680	290	0,525 + 0,525
CV 90 200	900	2000	250	1200	2300	750	440	0,9 + 0,9
CV 120 120	1200	1200	150	1530	1385	605	360	0,9 + 0,9
CV 120 240	1200	2400	200	1530	2670	890	680	1,6 + 1,6
CV 140 200	1400	2000	200	1730	2300	750	615	1,1 + 1,1
CV 140 250	1400	2500	200	1730	2770	860	795	1,6 + 1,6

These models are standards that can be adapted and modified according to specific project requirements.